

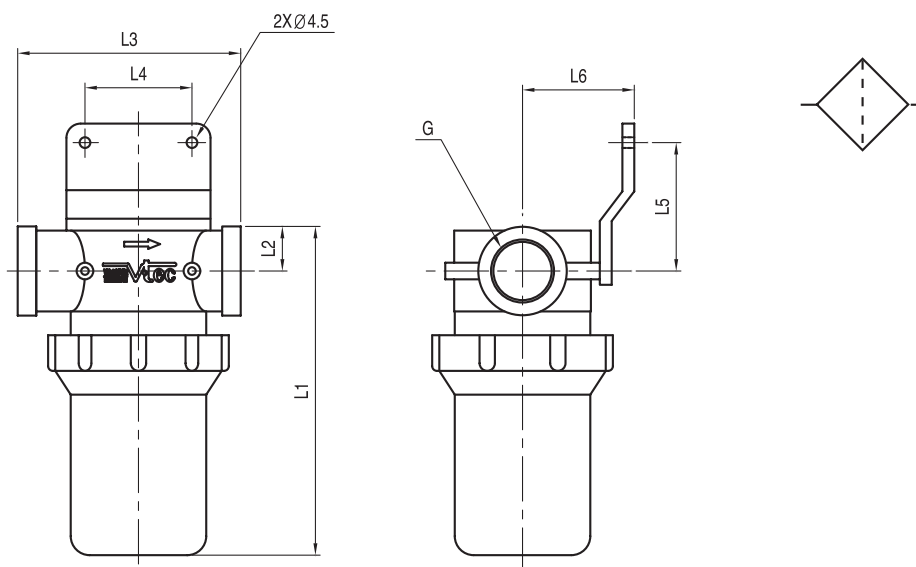
### Bowl Vacuum Filter

These filters are useful in conjunction with the larger pumps which use bigger conjunction parts i.e. 3/8" BSP. All filters use a detachable bowl and a replaceable element inside.

The housing of the filter comes complete with a surface mounting bracket, this bracket can be mounted either side of the housing. There are five connection sizes available with each size having the option of a standard length bowl and filter or a long style bowl and filter. Elements for all filters can be ordered separately.



### Dimensional Information



### Operating specifications

| Model      | Internal Volume (cm <sup>3</sup> ) | Removal Efficiency (μ) | Material       | Working Temperature   | G      | L1  | L2   | L3  | L4   | L5 | L6 | Weigh (g) | Filter Element Model |
|------------|------------------------------------|------------------------|----------------|-----------------------|--------|-----|------|-----|------|----|----|-----------|----------------------|
| VTF 38-96  | 205                                | 20                     | PA<br>PC<br>PE | -20°C<br>to<br>+100°C | 3/8"   | 140 | 18.5 | 90  | 44.5 | 52 | 47 | 226       | VTFE27.5-39096       |
| VTF 38-141 | 269                                |                        |                |                       |        | 185 | 18.5 | 90  | 44.5 | 52 | 47 | 286       | VTFE27.5-39141       |
| VTF 12-96  | 205                                |                        |                |                       | 1/2"   | 140 | 18.5 | 90  | 44.5 | 52 | 47 | 230       | VTFE27.5-39096       |
| VTF 12-141 | 269                                |                        |                |                       |        | 185 | 18.5 | 90  | 44.5 | 52 | 47 | 269       | VTFE27.5-39141       |
| VTF 34-96  | 205                                |                        |                |                       | 3/4"   | 140 | 18.5 | 90  | 44.5 | 52 | 47 | 213       | VTFE27.5-39096       |
| VTF 34-141 | 269                                |                        |                |                       |        | 185 | 18.5 | 90  | 44.5 | 52 | 47 | 258       | VTFE27.5-39141       |
| VTF 01-118 | 495                                |                        |                |                       | 1"     | 183 | 31   | 125 | 70   | 65 | 67 | 620       | VTFE47.4-62118       |
| VTF 01-154 | 675                                |                        |                |                       |        | 219 | 31   | 125 | 70   | 65 | 67 | 690       | VTFE47.4-62154       |
| VTF 02-118 | 495                                |                        |                |                       | 1 1/2" | 183 | 31   | 125 | 70   | 65 | 67 | 565       | VTFE47.4-62118       |
| VTF 02-154 | 675                                |                        |                |                       |        | 219 | 31   | 125 | 70   | 65 | 67 | 635       | VTFE47.4-62154       |